

# KONTRO<sup>®</sup>

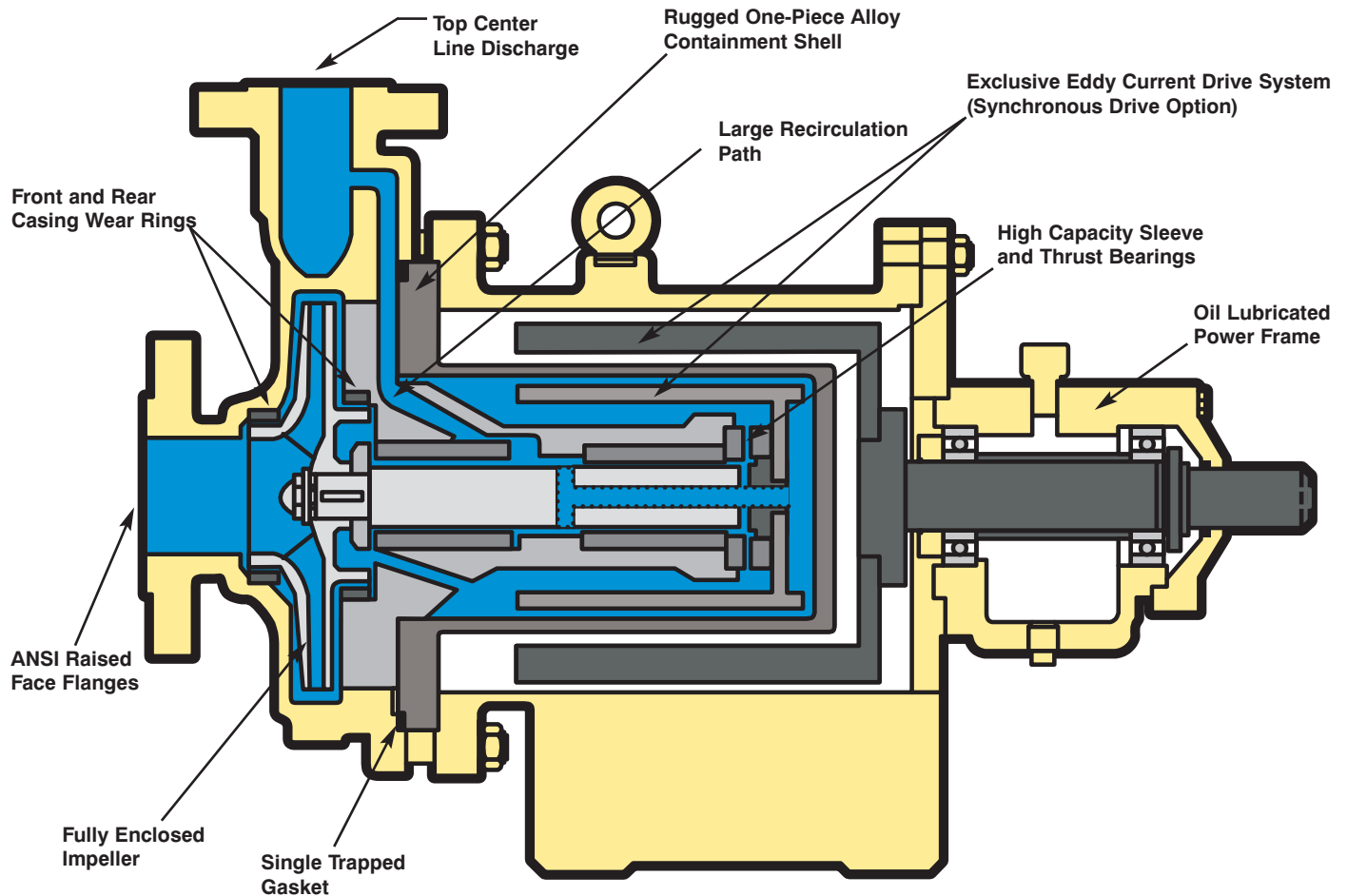
## Model CS



SUNDSTRAND <sup>™</sup>  
**SEALLESS**  
ANSIMAG • HMD • KONTRO • SCMP



# MODEL CS



## Specifications

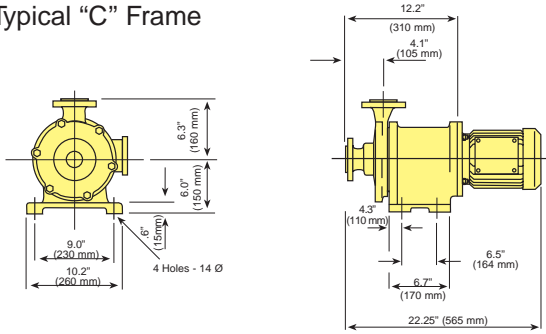
Configuration: .....Horizontal Frame-Mount or Close-Coupled  
 Maximum Capacity: .....1300 GPM [295 m<sup>3</sup>/hr]  
 Maximum TDH: .....600 Ft. [183m]  
 Maximum Power: .....150 HP @ 350 rpm, 60 HP @ 1750 rpm - 60Hz  
 .....75 HP @ 2900 rpm, 30 HP @ 1450 rpm - 50 Hz  
 Materials of Construction:.....316SS, Cast Steel  
 Magnetic Coupling Type:.....Torque Ring SmCo (Rare Earth) - optional  
 Magnet Material:.....Alnico - standard  
 Bearing Material:.....Carbon/Carbon  
 Max. Operating Pressure:.....275 psig [18.9bar] - standard,  
 .....580psig [40bar] - optional @ 100°F [38°C]  
 Min. Operating Pressure: .....Full Vacuum  
 Max. Operating Temperature: .....660°F [350°C]-standard,  
 .....750°F [400°C]-optional  
 Min. Operating Temperature: .....-110°F [-80°C]  
 Max. Viscosity:.....200 centistokes (continuous)  
 Flanges: .....150# RF-standard,  
 .....300# RF-optional  
 Max. Solids Concentration/Size:.....5% concentration by weight, max. 150 μ

## Typical Applications

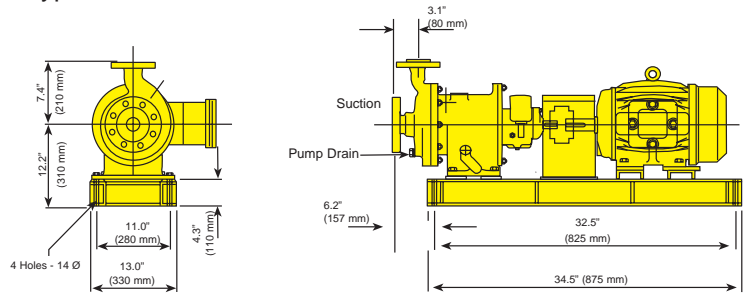
Heat Transfer Fluids  
 High Temperature Liquids  
 Fatty Acid  
 Molten Solids  
 High Temperature  
 Vacuum Distillation

# OUTLINE DRAWINGS

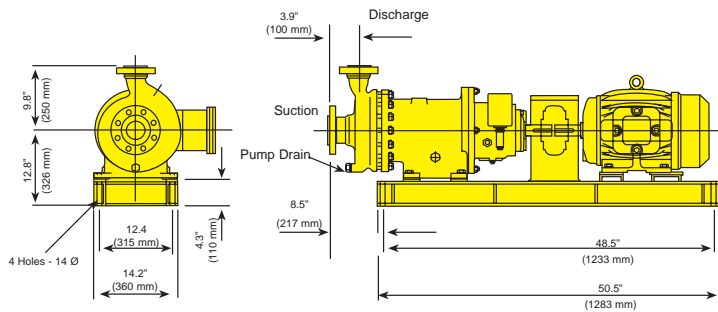
Typical "C" Frame



Typical "D" Frame



Typical "E" Frame



**NOTE:**

These are not certified drawings. Dimensions are for reference only and will vary with pump size selected.

Manufacturers Representatives, Service Centers and Direct Offices throughout the World.

For a complete list please visit our website at [www.sfh.com](http://www.sfh.com)



Sundstrand Fluid Handling (Arvada, Colorado) and Sundstrand International, S.A. (Dijon, France) are pleased to provide our customers with the added quality assurance benefits of an ISO9001-1994 Quality Management System. Our Quality Management System is certified by Lloyd's Register Quality Assurance, Limited. The certification includes all Sundyne, Sunflo, Sundyne Canned Motor Pumps, Kontro and Sine products designed and manufactured at both plant locations.

## WORLDWIDE LOCATIONS

**SUNDSTRAND**  
FLUID HANDLING

Arvada, Colorado USA  
Phone: +1-303-425-0800  
FAX: +1-303-425-0896  
[www.sfh.com](http://www.sfh.com)

**HMD**  
SEALLES™ PUMPS

Eastbourne, England  
Phone: +44-(0)-1323-452000  
FAX: +44-(0)-1323-503369  
[www.hmdpumps.com](http://www.hmdpumps.com)



Member of  
**Hydraulic**  
INSTITUTE

© Sundstrand Fluid Handling Corporation 1998  
All rights reserved